

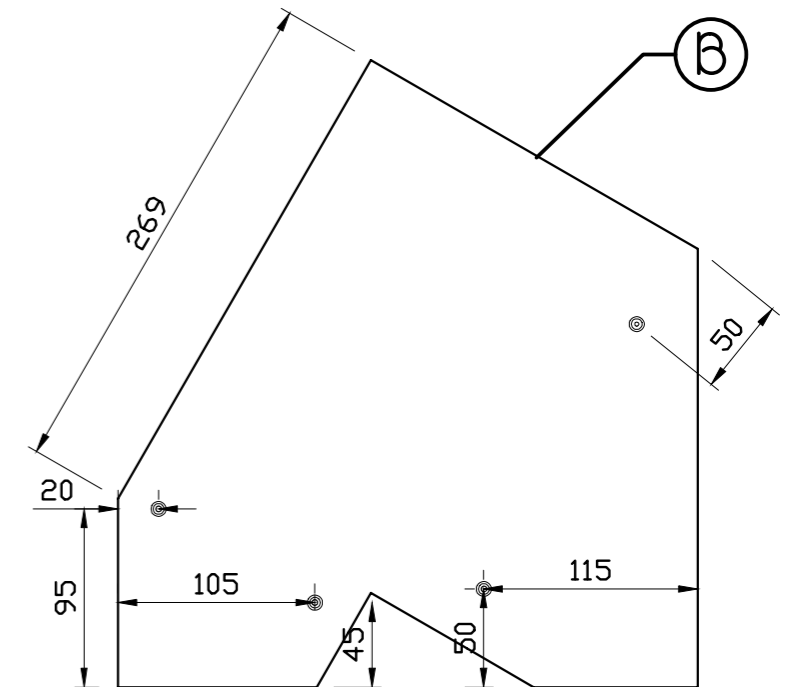
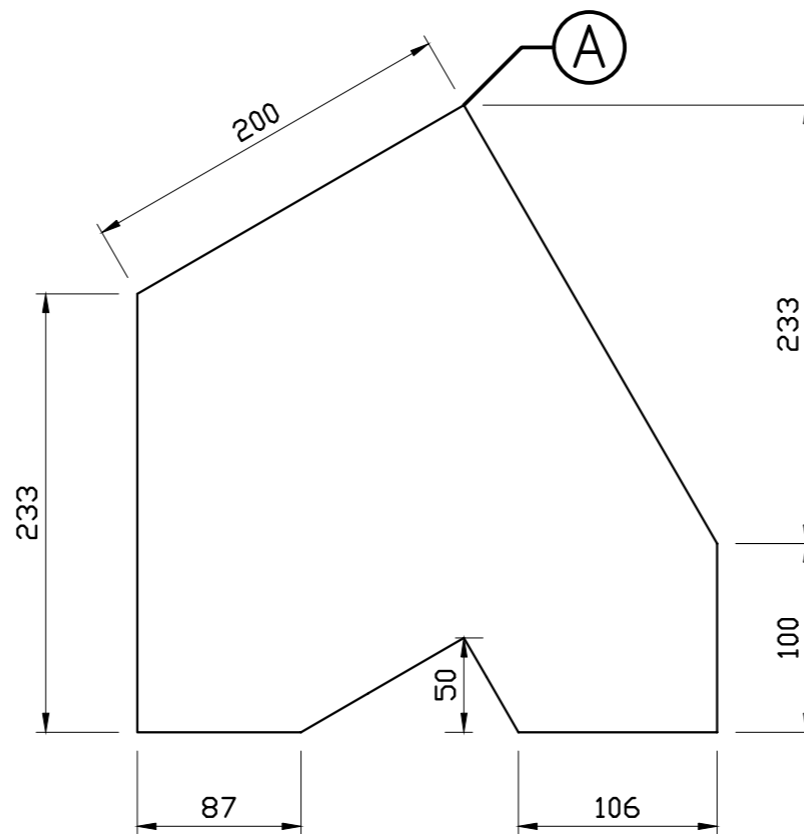
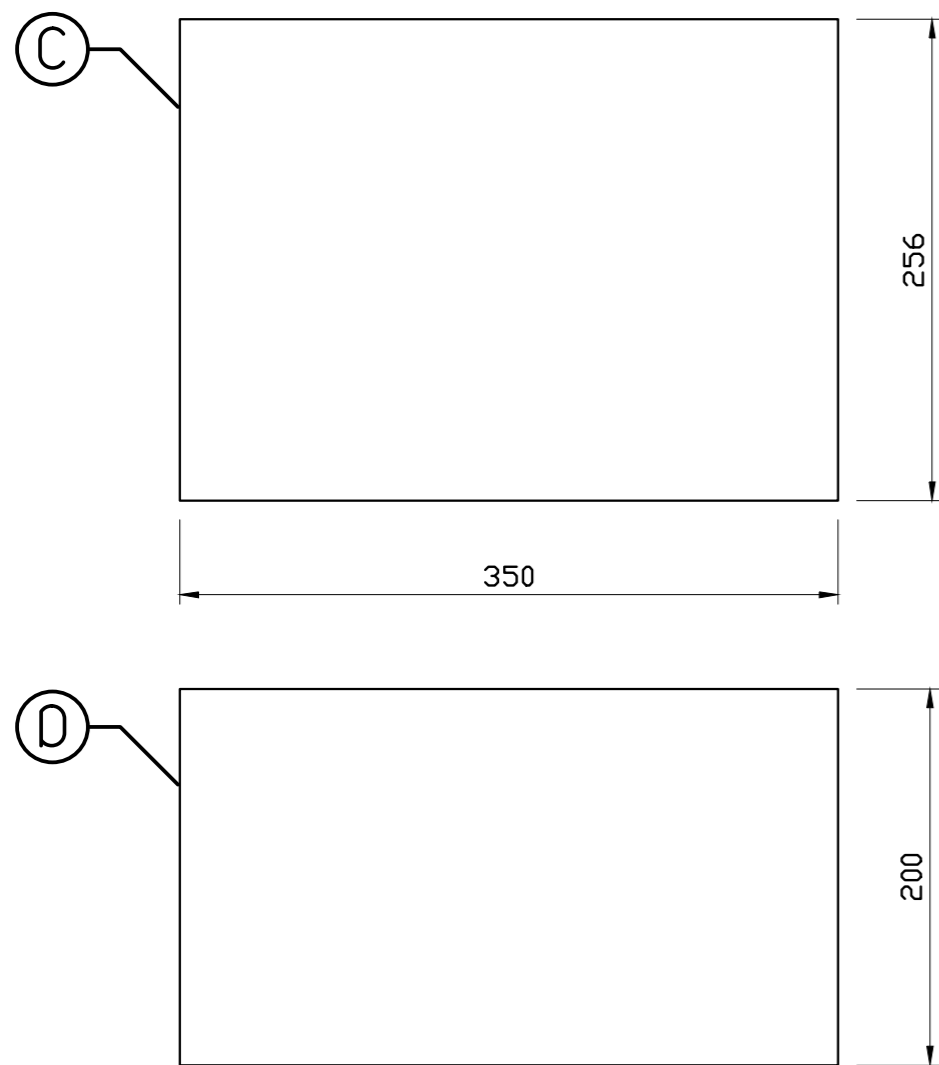
BOUCTJE³

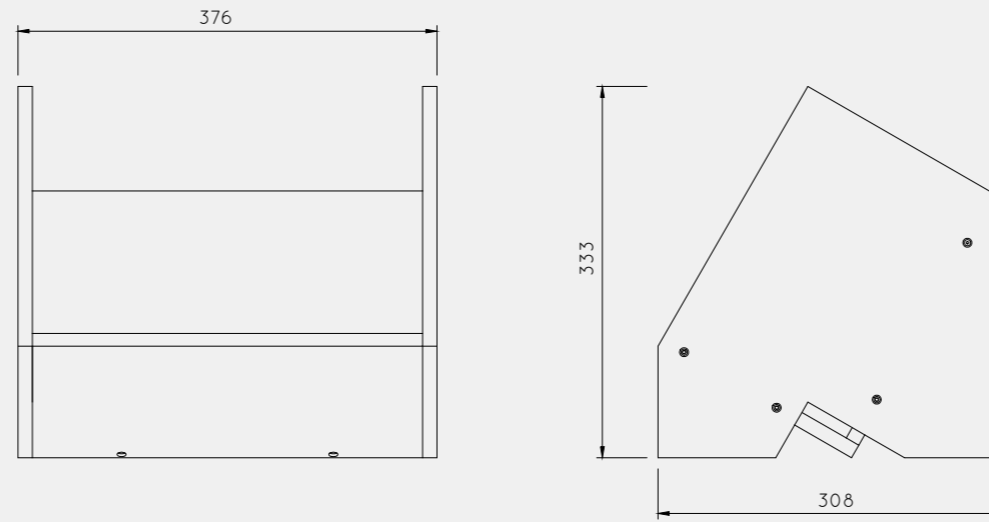
Materials

- plywood panel 13 mm or OSB panel 11/12mm
- 10 wood screws ≈ Ø3.5x40mm

Tools

- hand saw, circular saw, jigsaw
- drill, drill bit 3mm, screwdriver...
- sander, paper sand...

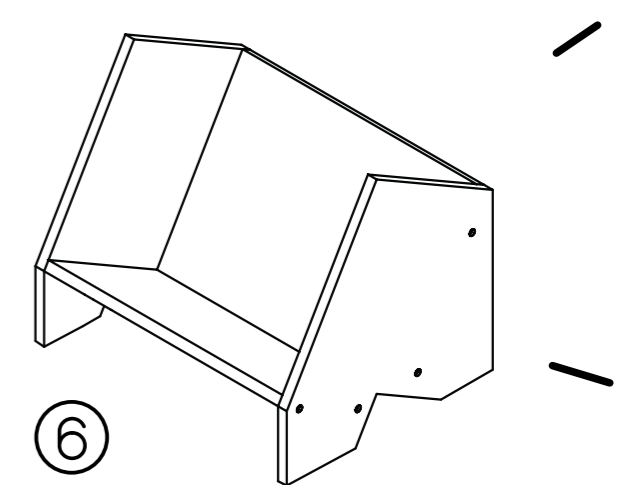
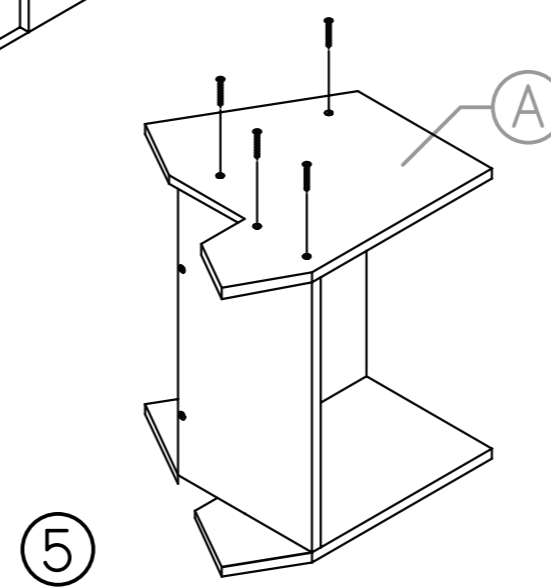
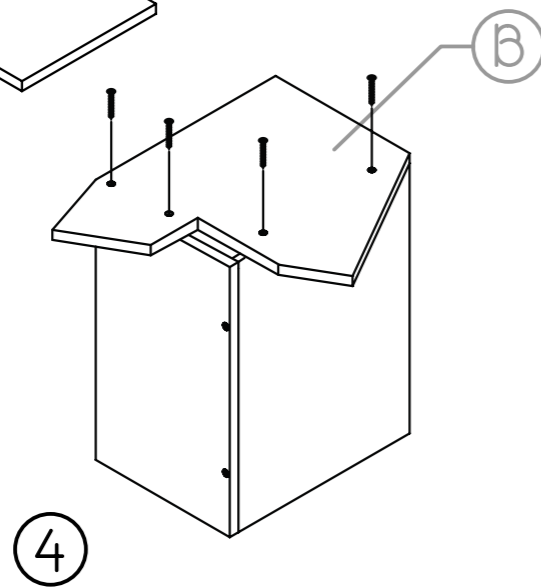
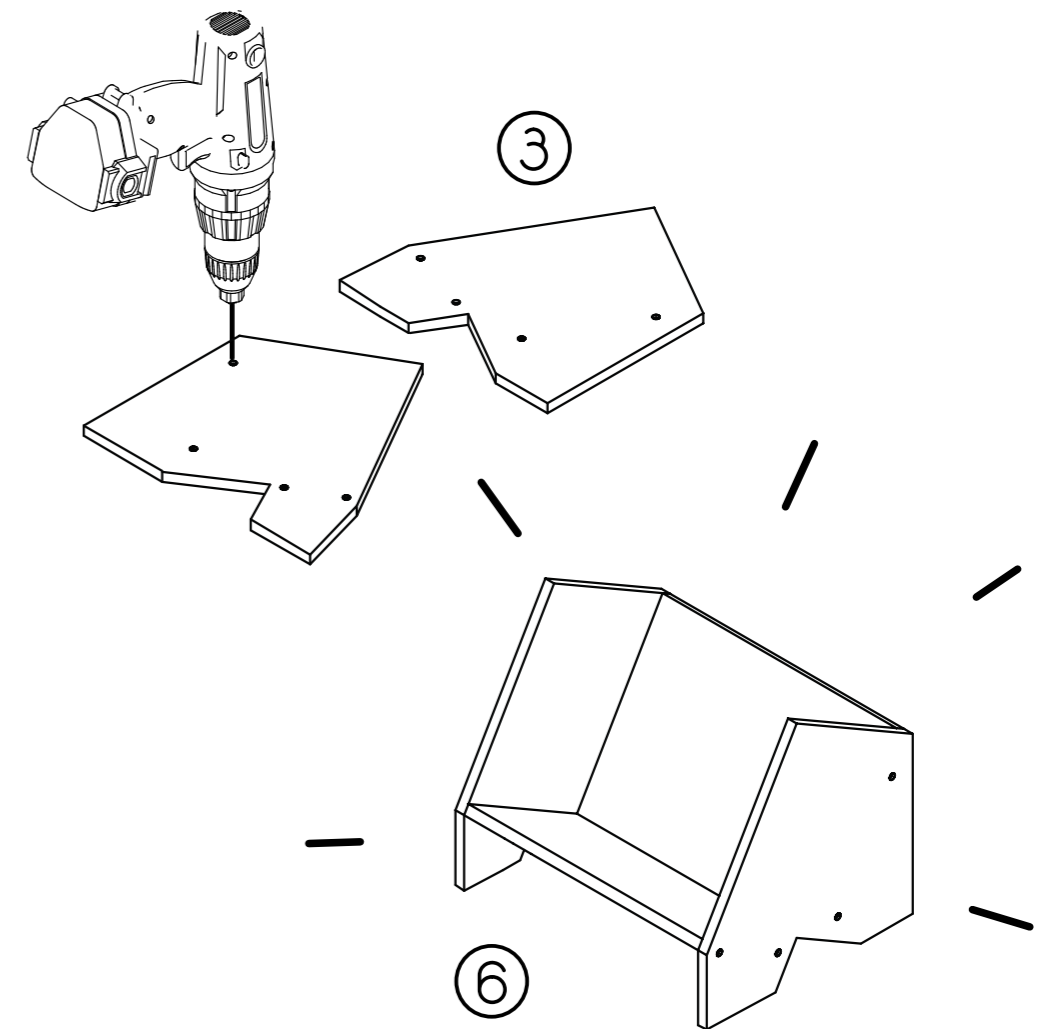
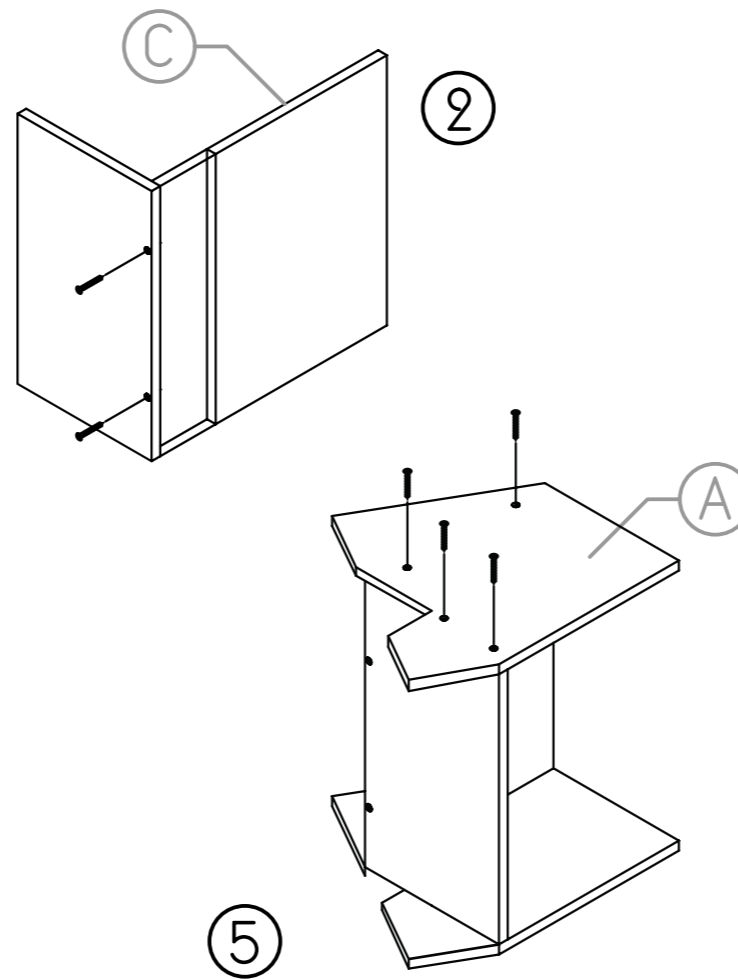
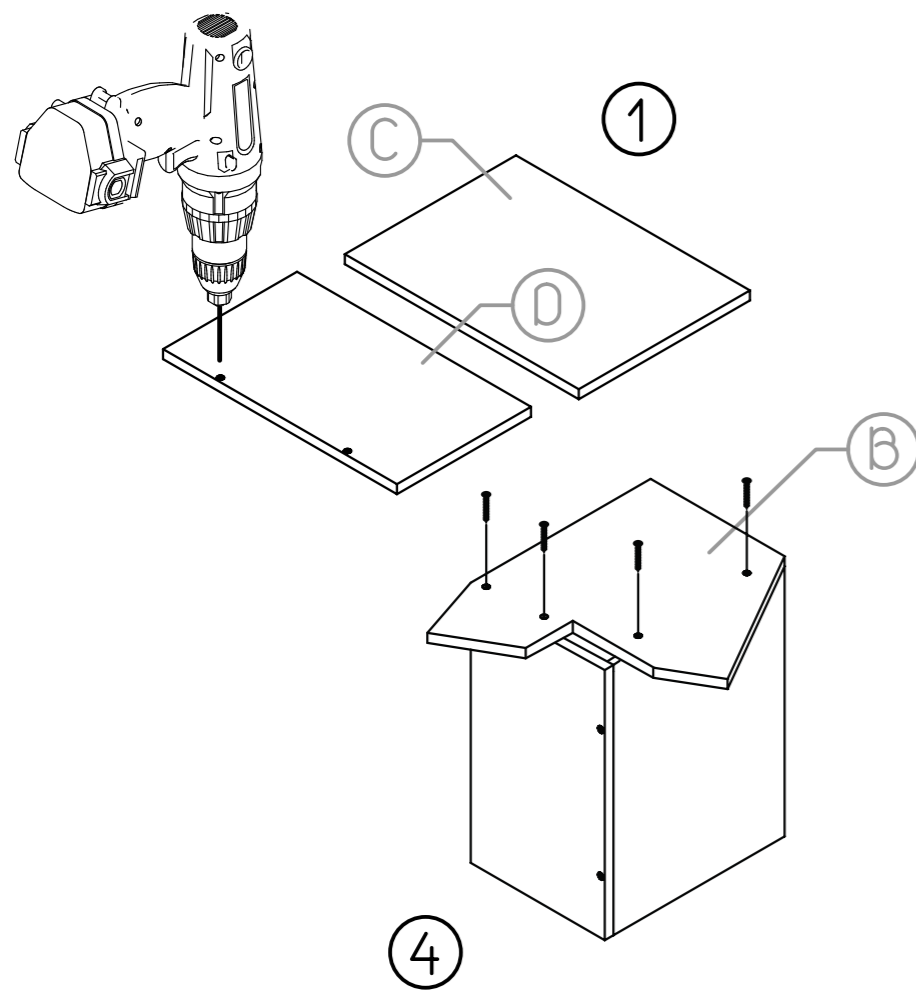




BOUCTJE³

Building steps

- 1 - drill two 3mm holes on D part
- 2 - put two screws to fix D and C
- 3 - drill all holes at the right place for A and B. For a better finition, you should used a combined drill and countersink to make littles chamfers
- 4 - place B part and put screws
- 5 - place A part and put screws
- 6 - your Bouctje is done ! Congretulations :)



Tadaaa!