

F E D C B A

4

3

2

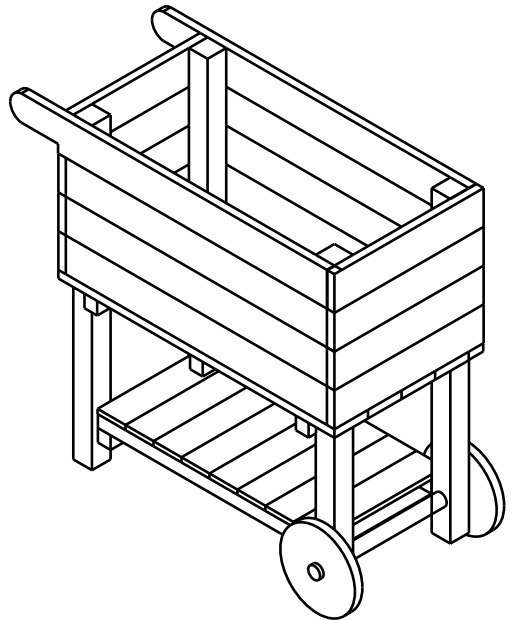
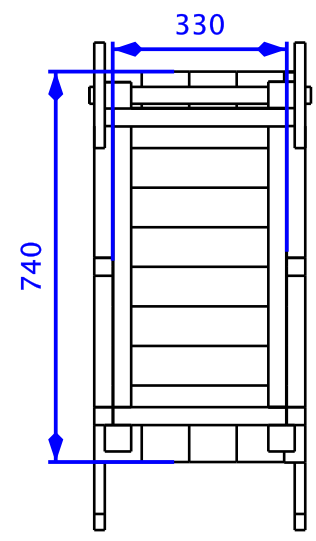
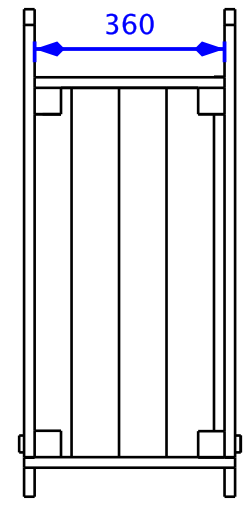
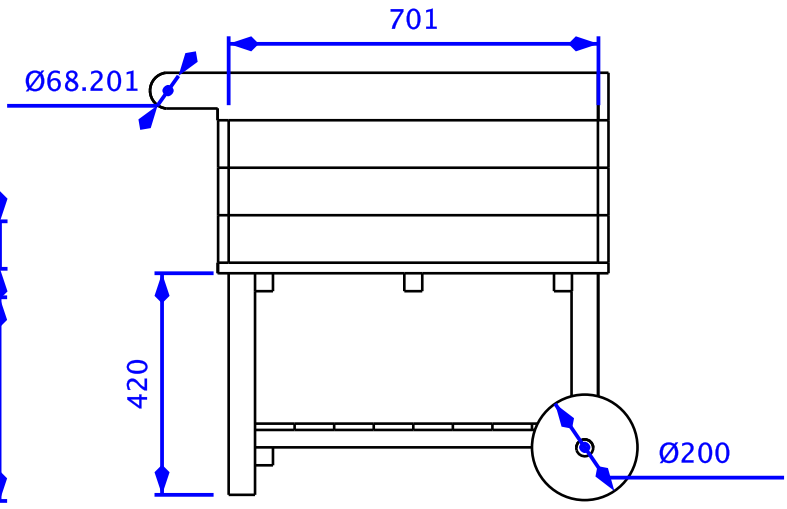
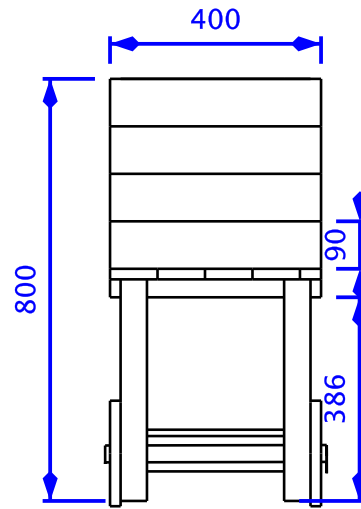
1


4

3

2

1



DESIGNED BY: Clarion		Pépinière mobile		G	-
DATE: 25/05/2015		Subtitle		F	-
SIZE A4				E	-
SCALE				D	-
WEIGHT (kg) 40	DRAWING NUMBER n°1	C	-		
40 x 85 x 80	40 kg	B	-		
SHEET 1/1		A	-		

This drawing is our property; it can't be reproduced or communicated without our written consent.

F E D